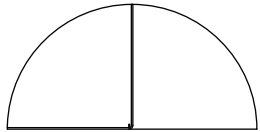


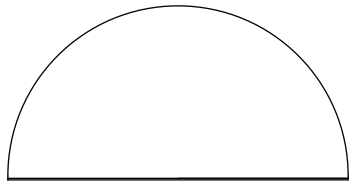
ASSEMBLY INSTRUCTION

PIVOT, all versions

A x 1



SMALL OR LARGE



B x 2



C x 2



Mounting: Different wall materials require different types of fixing devices. The screws and rawlplugs enclosed with this product are intended for a brick wall. Should you need to mount the shelf on a different material, please use suitable screws and rawlplugs.

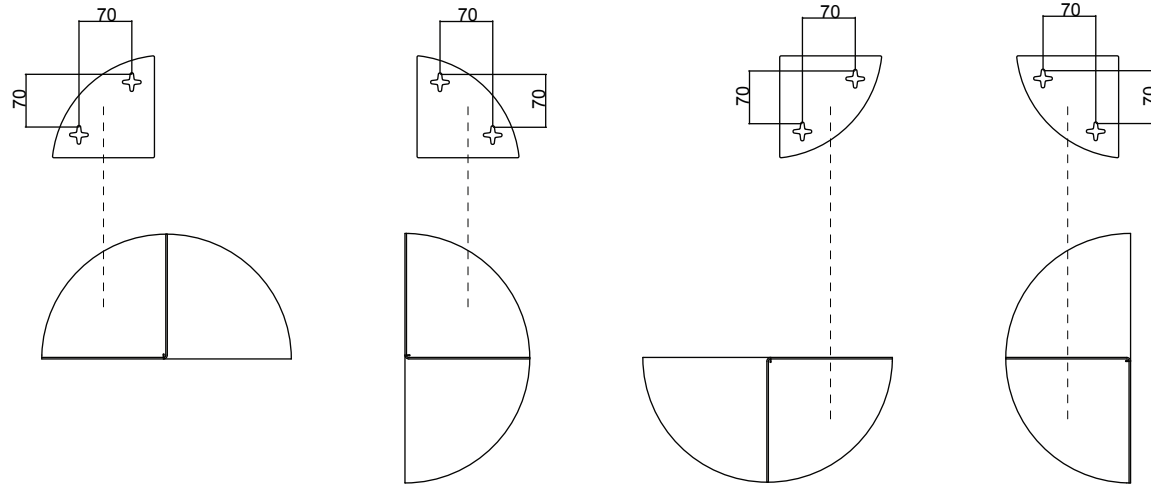
Max load 3 kg.

The product is not suitable for wet rooms or outdoor use.

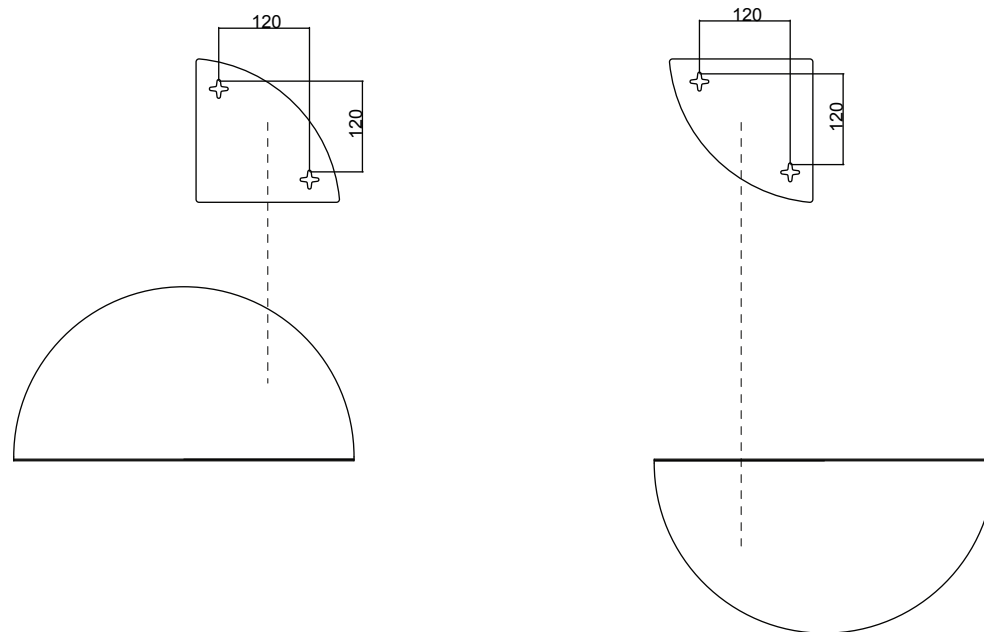
HAY

- 1 There are optional hanging positions for every version of PIVOT.

Fix the two included screws (B) on the wall. Use rawlplugs (C) if needed. Hang the shelf (A) on to the screws. Use the template on the back of this paper if necessary.



SMALL FRONT VIEW



LARGE FRONT VIEW

